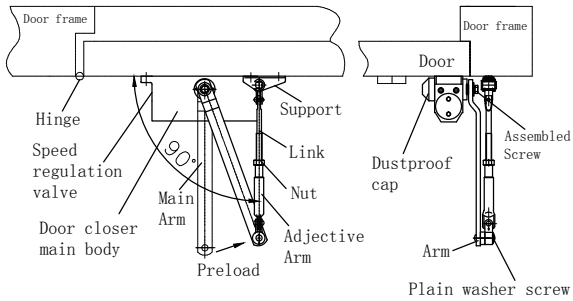


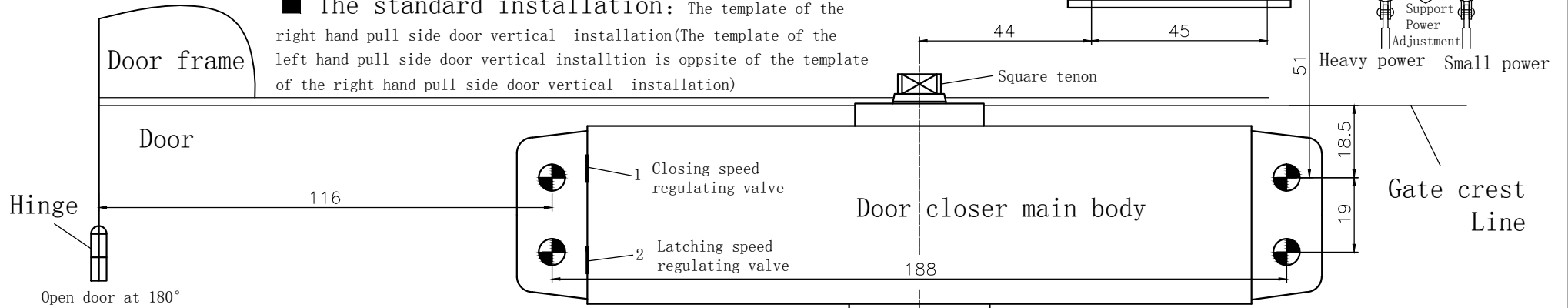
The standard installation



I. The steps of vertical installation:

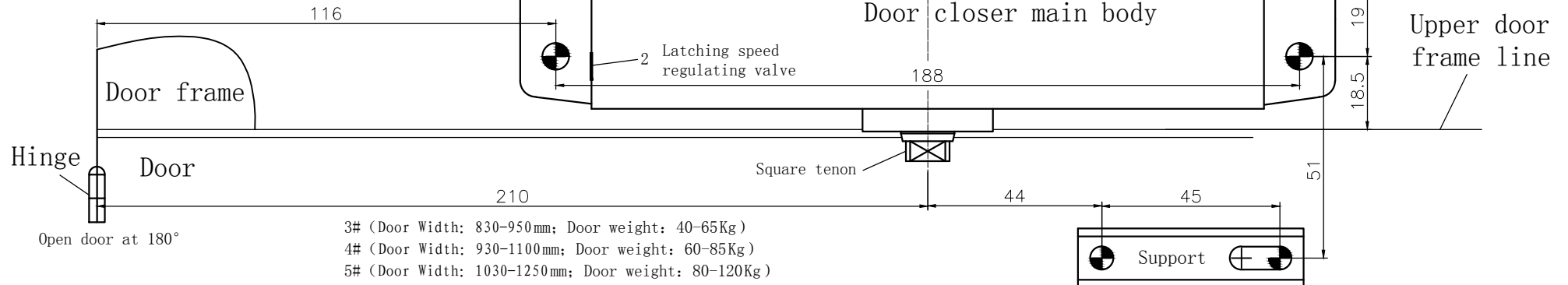
1. Cut down the template according to your demand. stick the template on the door and frame.
2. According to the position of the installation template, drill holes to install the screws.
3. Take off Main Arm and Adjective Arm. Put the arm and the door closer main body in cross shape. Install the arm on the square tenon of gearing bearing. Then fasten by the assembled screw.
4. According to the drilled holes, install the door closer body on the frame or door.
5. Preload the arm to an angle and then install it together with the Adjective Arm which is vertical to the door. (Adjust the length of the Arm to install the Arm) At last, fasten the screws on the arm.
6. Put dustproof cap on the other end of the gear shaft

■ The standard installation: The template of the right hand pull side door vertical installation (The template of the left hand pull side door vertical installation is opposite of the template of the right hand pull side door vertical installation)



■ The reverse installation:

The template of the left hand push side door vertical installation (The template of the right hand push side door vertical installation is opposite of the template of the left hand push side door vertical installation)



3# (Door Width: 830-950mm; Door weight: 40-65Kg)

4# (Door Width: 930-1100mm; Door weight: 60-85Kg)

5# (Door Width: 1030-1250mm; Door weight: 80-120Kg)

The reverse installation

