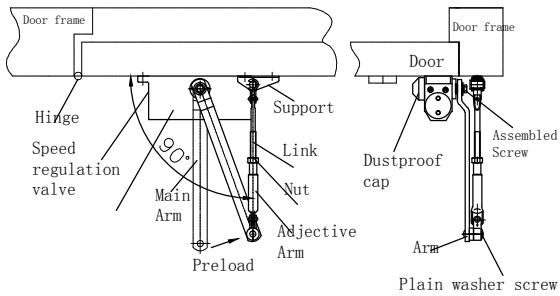


Installation instructions

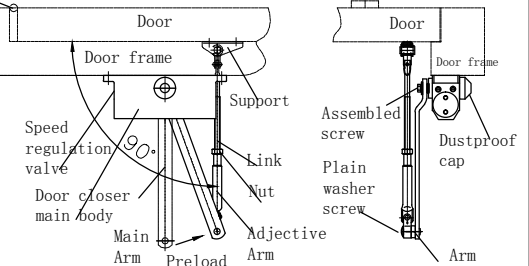
The standard installation



I. door closers, vertical installation steps:

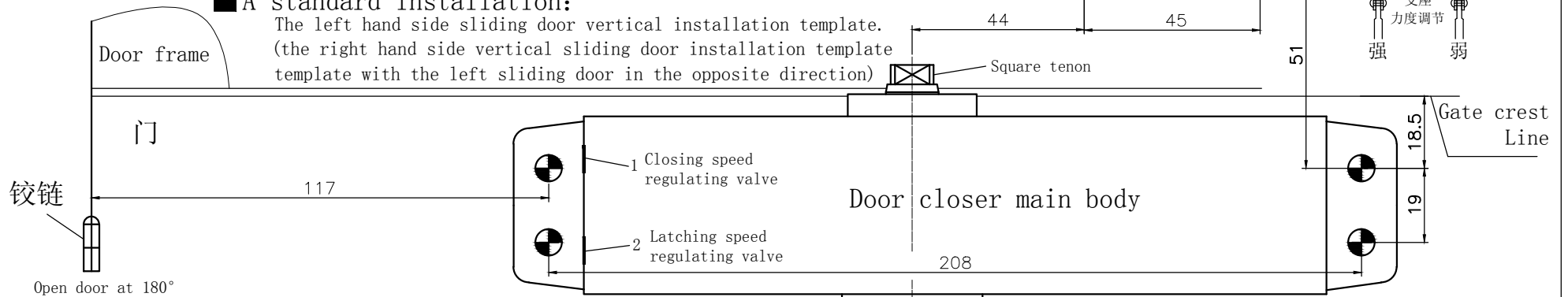
1. According to the need to cut out the corresponding installation template, paste on the door and door frame.
2. According to the template installation location use electric drill to drill a screw base hole (wooden door: $\varnothing 5.5$; metal gate: $\varnothing 5.3$, and attack the M6 thread)
3. Remove the main arm and adjust arm. The main arm is perpendicular to the door closers organism, installed on the axis side tenon, and combination screw tightening.
4. Press the drilled mounting holes, the door closer body and adjust arm bearing installed on the door or door frame respectively, and solid and tight.
5. Preloading a main arm Angle and perpendicular to the adjustment of the gate arm together, with flat washer and screw tight (can be adjusted Screw length to complete the assembly) and then tighten the screw on the nut.
6. Another end cover dust cover in rotation.

The reverse installation



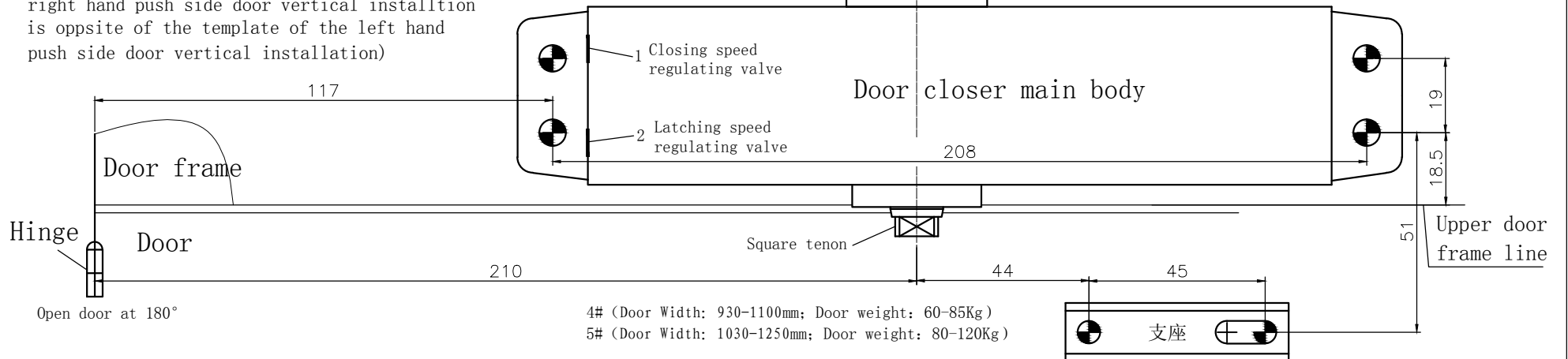
■ A standard installation:

The left hand side sliding door vertical installation template.
(the right hand side vertical sliding door installation template with the left sliding door in the opposite direction)



■ The reverse installation:

The template of the left hand push side door vertical installation (The template of the right hand push side door vertical installation is opposite of the template of the left hand push side door vertical installation)



- 4# (Door Width: 930-1100mm; Door weight: 60-85Kg)
- 5# (Door Width: 1030-1250mm; Door weight: 80-120Kg)