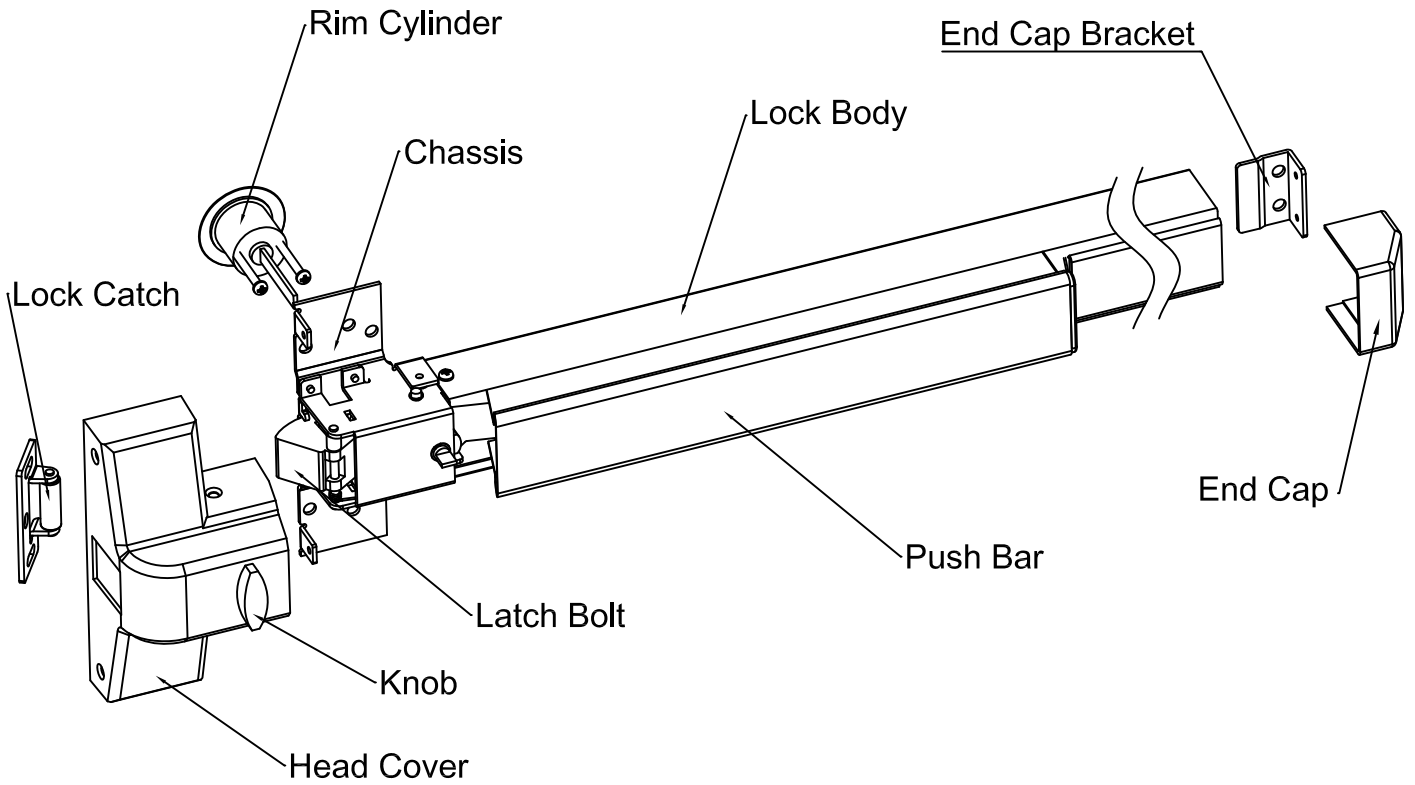
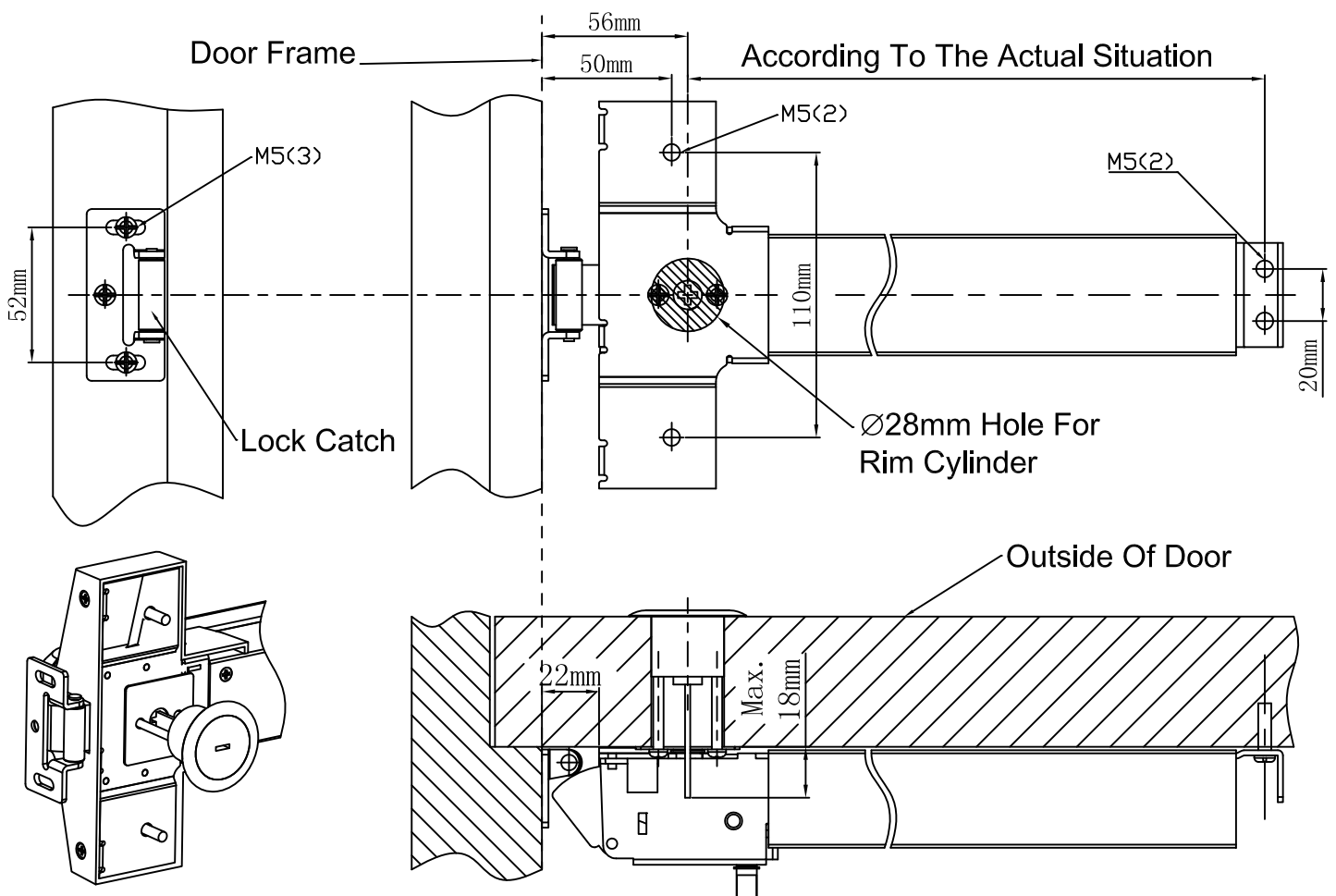


DESIGNATION OF PARTS

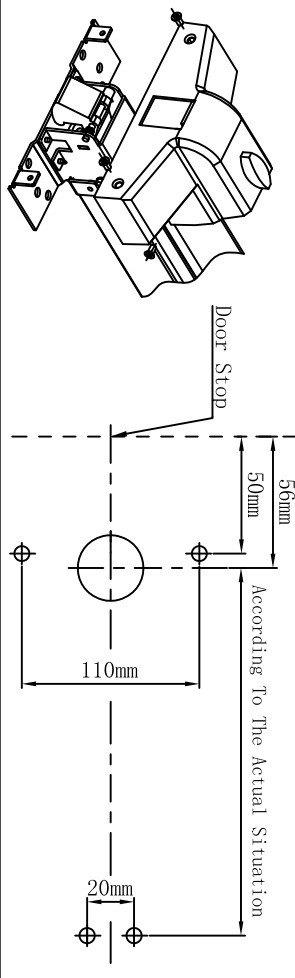


INSTALLATION KEY DIMENSIONS



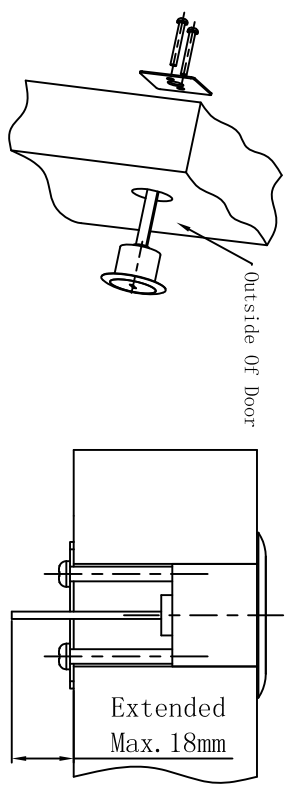
1

- 1.1 Loose screws and get head cover from the device.
- 1.2 Mark installation positions on the door according to the key dimensions.
- 1.3 You can cut the lock body to suit the actual length if required.



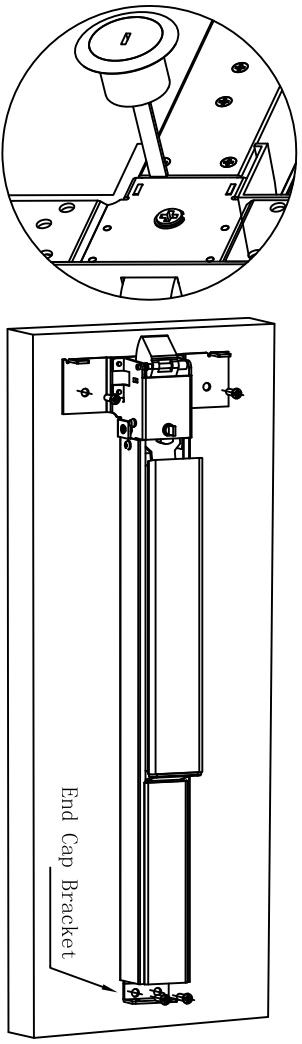
2

- 2.1 Drill a 28mm diameter hole counting from door frame 56mm.
- 2.2 Cut mounting screws and tailpiece to meet the door thickness.
- 2.3 Insert the cylinder into the drilled hole and tighten screws.



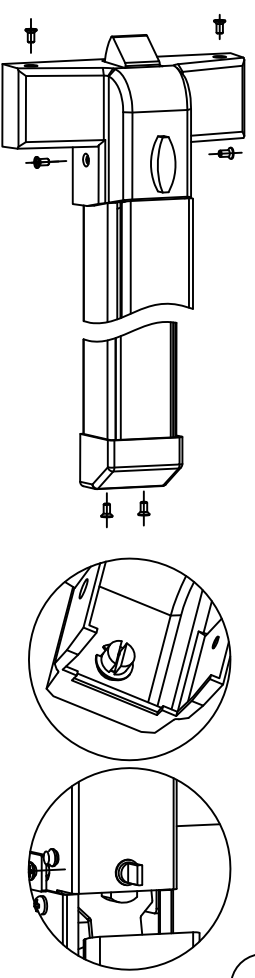
3

- 3.1 Insert cylinder tailpiece into cross groove of the device cam.
- 3.2 Tighten screws for chassis.
- 3.3 Install end cap bracket on device then tighten the screws.



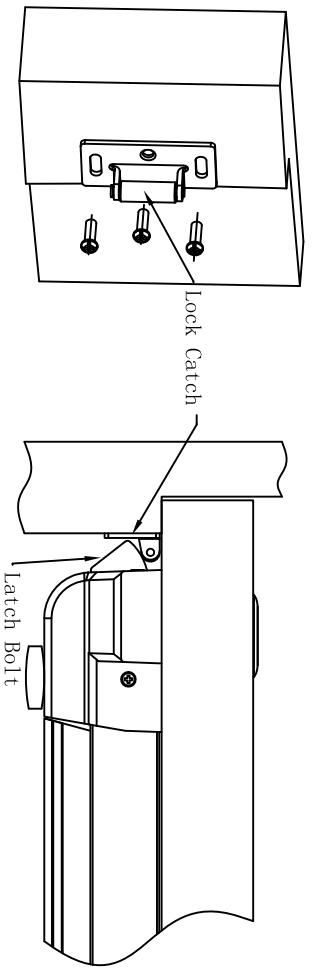
4

Install head cover and end cap.
Align knob slot to the flat pin, make sure latch bolt and knob are engaged then tighten screws.



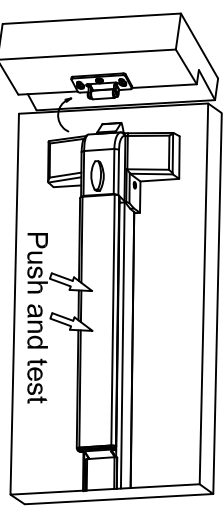
5

Refer to the position of latch bolt to mount lock catch. Make sure latch bolt is working. Adjust lock catch If necessary.



6

After installation push the bar to test. Latch bolt will work smoothly and the door will be open.



If you want the door always open, pls turn the knob to vertical position.

